

NP 534 TR 3S

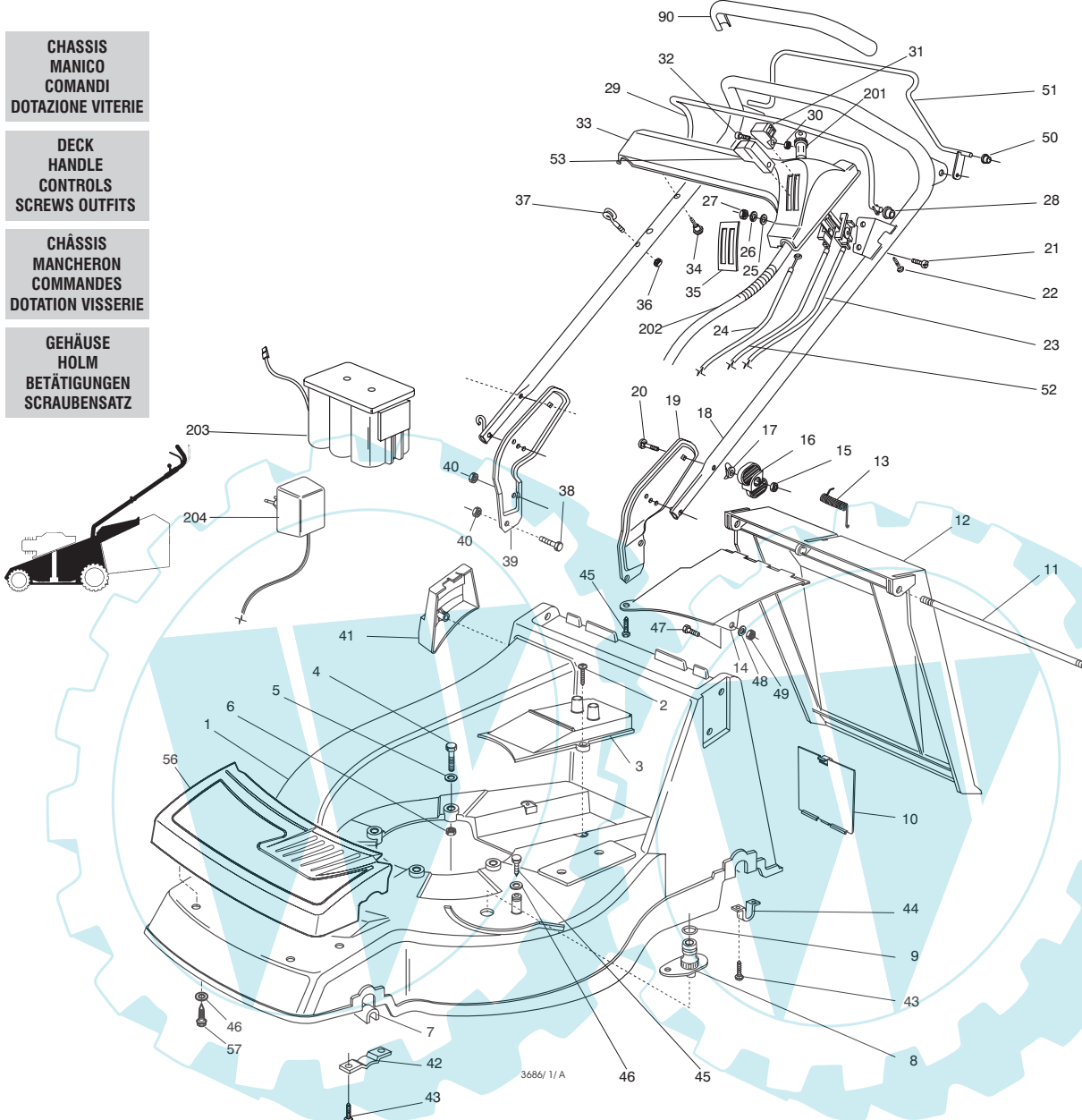
NP 534 TR-E 3S

**CHASSIS
MANICO
COMANDI
DOTAZIONE VITERIE**

**DECK
HANDLE
CONTROLS
SCREWS OUTFITS**

**CHÂSSIS
MANCHERON
COMMANDES
DOTATION VISSERIE**

**GEHÄUSE
HOLM
BETÄTIGUNGEN
SCRAUBENSATZ**



SPARE PARTS CATALOGUE

GB

ERSATZTEILKATALOG

D

**CATALOGO DELLE PARTI
DI RICAMBIO**

I

**CATALOGUE DES PIÈCES
DE RECHANGE**

F

T-3686/1/A

| Pos. Nr. | Codice Code Kodex | Q.tà Q.ty-Q.tè Menge | Descrizione | Description | Description | Beschreibung |
|----------|-------------------|----------------------|--------------------------------|---------------------------------|----------------------------|----------------------------------|
| 1 | 81001652/0 | 1 | CHASSIS ROSSO | DECK RED | CHÂSSIS ROUGE | GEHÄUSE ROTES |
| — | 81001654/0 | 1 | GIALLO | YELLOW | JAUNE | GELBES |
| — | 81001656/0 | 1 | VERDE | GREEN | VERT | GRÜNES |
| — | 81001843/0 | 1 | ROSSO CON FORI PER MASCHERINA | RED WITH HOLES FOR HALF-MASK | ROUGE AVEC TROUS POUR LOUP | ROT MIT LOCHEN FÜR KLEINE MASKE |
| — | 0 | 1 | GIALLO CON FORI PER MASCHERINA | YELLOW WITH HOLES FOR HALF-MASK | JAUNE AVEC TROUS POUR LOUP | GELB MIT LOCHEN FÜR KLEINE MASKE |
| — | 81001844/0 | 1 | VERDE CON FORI PER MASCHERINA | GREEN WITH HOLES FOR HALF-MASK | ROUGE AVEC TROUS POUR LOUP | GRÜN MIT LOCHEN FÜR KLEINE MASKE |
| 2 | 12728522/0 | 2 | VITE | SCREW | VIS | SCHRAUBE |
| 3 | 22060181/1 | 1 | CARTER CINGHIA | BELT PROTECTION | PROTECTION COURROIRE | RIEMENSCHUTZ |
| 4 | 12691800/0 | 3/2 | VITE | SCREW | VIS | SCHRAUBE |
| — | 12692080/0 | 0/1 | VITE | SCREW | VIS | SCHRAUBE |
| 5 | 12521350/0 | 3 | RONDELLA | WASHER | RONDELLE | SCHEIBE |
| 6 | 12155000/0 | 3 | DADO | NUT | ECROU | MUTTER |
| 7 | 22038400/1 | 2 | BRONZINA | BUSH | DOUILLE | BUCHSE |
| 8 | 22034000/0 | 1 | ATTACCO ACQUA LAVAGGIO | WASHING CONNECTION | ATTAQUE LAVAGE | WASCHENVERBINDUNG |
| 9 | 19035000/0 | 1 | ANELLO OR | OR RING | BAGUE OR | RING OR |
| 10 | 22595352/0 | 1 | PORTINA CHIUSURA | INSPECTION DOOR | VOYANT DE VISITE | ABDECKPLATTE |
| 11 | 22517856/0 | 1 | PERNO | PIN | PIVOT | BOLZEN |
| 12 | 22600023/2 | 1 | PARASASSI | STONE-GUARD | PARE-PIERRES | PRALLBLECH |
| 13 | 22450270/0 | 1 | MOLLA | SPRING | RESSORT | FEDER |
| 14 | 22108205/0 | 1 | CONVOGLIATORE | CONVEYOR | CONVOYEUR | KONVOYOR |
| 15 | 12293200/0 | 2 | DADO | NUT | ECROU | MUTTER |
| 16 | 22399803/0 | 2 | MANOPOLINA | KNOB | POIGNÉE | GRIFF |
| 17 | 22680006/1 | 2 | RONDELLA | WASHER | RONDELLE | SCHEIBE |

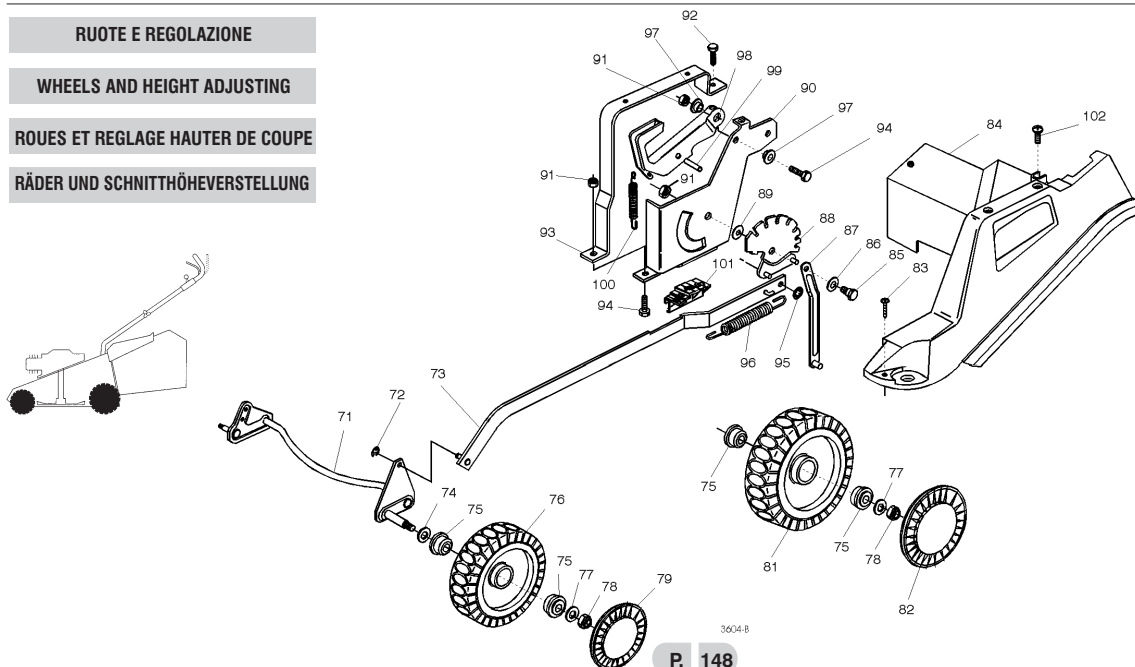
| Pos. Nr. | Codice Code Kodex | Q.tà Q.ty-Q.tè Menge | Descrizione | Description | Description | Beschreibung |
|----------|-------------------|----------------------|--|--------------------------------|---|----------------------------------|
| 18 | 81007028/ 0 | 1 | MANICO | HANDLE | MANCHERON | HOLM |
| 19 | 22778397/ 0 | 1 | STAFFA SX | LEFT BRACKET | BRIDE GAUCHE | LINKE PRATZE |
| 20 | 12819120/ 0 | 1 | VITE | SCREW | VIS | SCHRAUBE |
| 21 | 12788910/ 0 | 2 | VITE | SCREW | VIS | SCHRAUBE |
| 22 | 12728460/ 0 | 2 | VITE | SCREW | VIS | SCHRAUBE |
| 23 | 81007091/ 0 | 1 | ACCELERATORE (B&S) | TROTTLE (B&S) | ACCELERATEUR (B&S) | BESCHLEUNIGER (B&S) |
| — | 81007092/ 0 | 1 | (TECUMSEH-HONDA) | (TECUMSEH-HONDA) | (TECUMSEH-HONDA) | (TECUMSEH-HONDA) |
| 24 | 81000628/ 0 | 1 | CAVO FRENO MOTORE (HONDA) | THREAD MOTOR BRAKE (HONDA) | CABLE FREIN MOTEUR (HONDA) | MOTORBREMSEKABEL (HONDA) |
| — | 81000629/ 1 | 1 | (TECUMSEH) | (TECUMSEH) | (TECUMSEH) | (TECUMSEH) |
| — | 81000634/ 0 | 1 | (B&S) | (B&S) | (B&S) | (B&S) |
| 25 | 12523020/ 0 | 2 | RONDELLA | WASHER | RONDELLE | SCHEIBE |
| 26 | 12581500/ 0 | 2 | RONDELLA | WASHER | RONDELLE | SCHEIBE |
| 27 | 12291000/ 0 | 2 | DADO | NUT | ECROU | MUTTER |
| 28 | 22041966/ 0 | 2 | BUSSOLA | BUSH | DOUILLE | BUCHSE |
| 29 | 81003291/ 0 | 1 | LEVA | LEVER | LEVIER | HEBEL |
| 30 | 12290800/ 0 | 2 | DADO | NUT | ECROU | MUTTER |
| 31 | 22399801/ 0 | 1 | MANOPOLINA | KNOB | POIGNÉE | GRIFF |
| 32 | 12726388/ 0 | 1 | VITE | SCREW | VIS | SCHRAUBE |
| 33 | 22120150/ 0 | 1 | CRUSCOTTO ROSSO | DASH BOARD RED | CONSOLE ROUGE | KONSOLE ROTE |
| — | 22120148/ 0 | 1 | GIALLO | YELLOW | JAUNE | GELBE |
| — | 22120164/ 0 | 1 | NERO | BLACK | NOIRE | SCHWARZE |
| 34 | 22943006/ 0 | 1 | VITE | SCREW | VIS | SCHRAUBE |
| 35 | 14356797/ 0 | 1 | ETICHETTA (TECUMSEN-HONDA) | LABEL (TECUMSEN-HONDA) | ETIQUETTE (TECUMSEN-HONDA) | ETIKETTE (TECUMSEN-HONDA) |
| — | 14356795/ 0 | 1 | (B&S) | (B&S) | (B&S) | ETIKETTE (B&S) |
| 36 | 12154330/ 0 | 1 | DADO | NUT | ECROU | MUTTER |
| 37 | 22430309/ 0 | 1 | MOLLA GUIDA | SPRING | RESSORT | FEDER |
| 38 | 12793301/ 0 | 2 | VITE | SCREW | VIS | SCHRAUBE |
| 39 | 22778396/ 0 | 1 | STAFFA DX | RIGHT BRACKET | BRIDE DROITE | RECHTE PRATZE |
| 40 | 12155000/ 0 | 4 | DADO | NUT | ECROU | MUTTER |
| 41 | 22601001/ 0 | 1 | PROTEZIONE | PROTECTION | PROTECTION | SCHUTZ |
| 42 | 22545156/ 0 | 2 | PIASTRINA | PLATE | PLAQUETTE | PLATTE |
| 43 | 12731350/ 0 | 8 | VITE | SCREW | VIS | SCHRAUBE |
| 44 | 22545152/ 0 | 2 | PIASTRINA | PLATE | PLAQUETTE | PLATTE |
| 45 | 12729600/ 0 | 2 | VITE | SCREW | VIS | SCHRAUBE |
| 46 | 12523040/ 0 | 5 | RONDELLA | WASHER | RONDELLE | SCHEIBE |
| 47 | 12789000/ 0 | 2 | VITE | SCREW | VIS | SCHRAUBE |
| 48 | 12523020/ 0 | 1 | RONDELLA | WASHER | RONDELLE | SCHEIBE |
| 49 | 12154330/ 0 | 1 | DADO | NUT | ECROU | MUTTER |
| 50 | 22041965/ 0 | 2 | BUSSOLA | BUSH | DOUILLE | BUCHSE |
| 51 | 81003288/ 1 | 1 | LEVA TRAZIONE | DRIVING LEVER | LEVIER TRACTION | ANTRIEHHEBEL |
| 52 | 81007099/ 0 | 1 | COMANDO MARCE | SPEED DRIVE CONTROL | COMM. CHARGEMENT VITESSE | GÄNGESCHALTUNKABEL |
| 53 | 22399802/ 0 | 1 | MANOPOLINA | KNOB | POIGNÉE | GRIFF |
| 55 | 22291050/ 0 | 1 | IMPUGNATURA MANICO NERA | HANDGRIP BLACK | POIGNÉE NOIRE | HANDGRIFF SCHWARZER |
| — | 22291051/ 0 | 1 | ROSSA | RED | ROUGE | RÖTER |
| — | 22291052/ 0 | 1 | GIALLA | YELLOW | JAUNE | GELBER |
| 56 | 22226050/ 0 | 1 | MASCHERINA | MASK | MESQUE | MASKE |
| 57 | 12735400/ 0 | 4 | VITE | SCREW | VIS | SCHRAUBE |
| | | | VARIANTI PER AVVIAMENTO ELETTRICO | PARTS OF ELECTRIC START | COMPOSANTS POUR DÉMARRAGE ÉLECTRIQUE | ELEKTROSTART BESTANDTEILE |
| 201 | 18450050/ 0 | 1 | INTERRUTTORE | SWITCH | INTERRUPTEUR | SCHALTER |
| 202 | 18204190/ 2 | 1 | CAVO AVVIAMENTO | START CABLE | CABLE DÉMARRAGE | START KABEL |
| 203 | 18120050/ 0 | 1 | BATTERIA | BATTERY 12V-2.5AH | BATTERIE 12V-2.5HA | BATTERIE 12V-2.5AH |
| 204 | 18204110/ 0 | 1 | CARICA BATTERIA | BATTERY CHARGER | CHARGEUR DE BATTERIE | LADGERÄT |

RUOTE E REGOLAZIONE

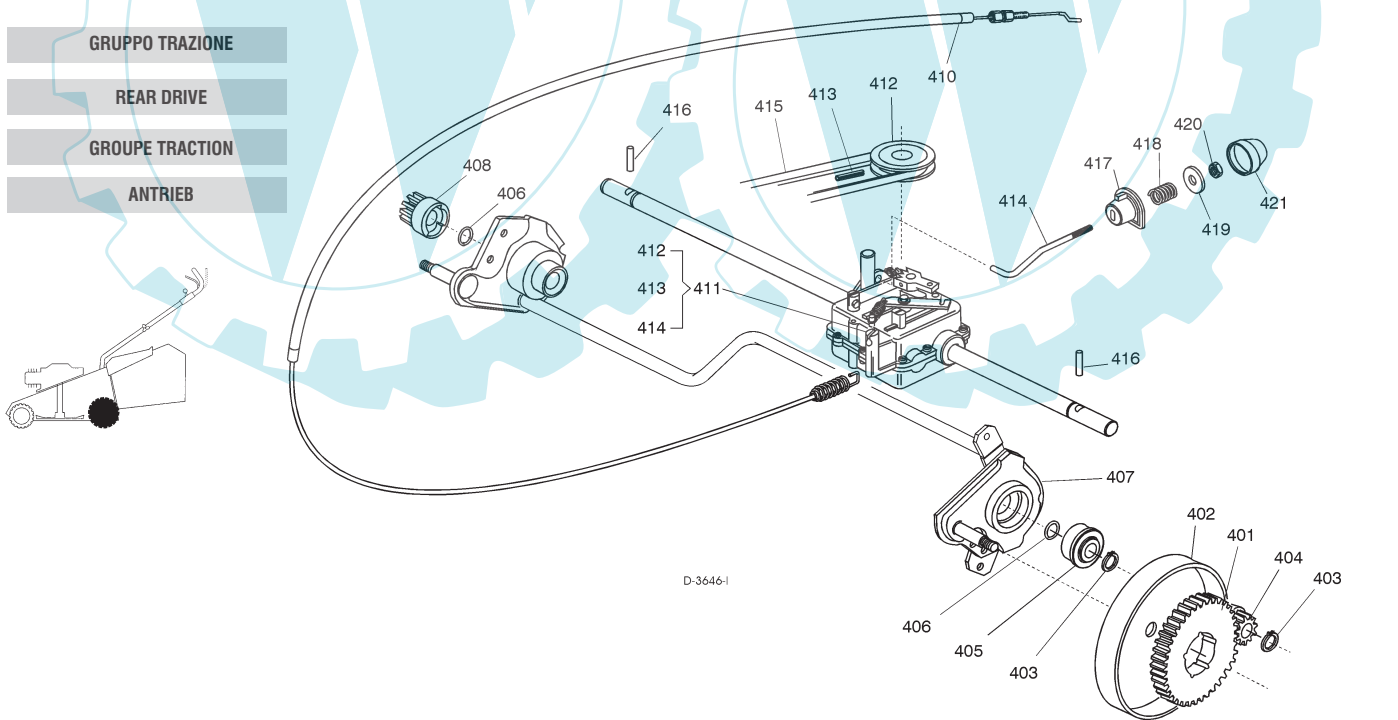
WHEELS AND HEIGHT ADJUSTING

ROUES ET REGLAGE HAUTER DE COUPE

RÄDER UND SCHNITTHÖHEVERSTELLUNG



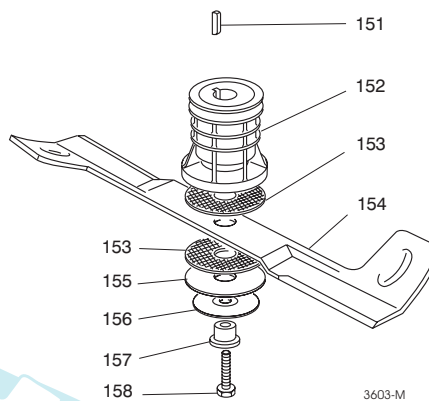
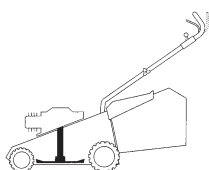
| Pos. Nr. | Codice Code Kodex | Q.tà Q.ty-Q.tè Menge | Descrizione | Description | Description | Beschreibung | |
|----------|-------------------|----------------------|------------------------|----------------------|----------------------|--------------------------|----------------|
| T-3685/F | 71 | 81002801/0 | 1 | ASSE RUOTE ANTERIORI | FRONT WHEELS AXLE | AXE ROUES AVANT | VORDERRADACHSE |
| 72 | 12000930/0 | 2 | ANELLO ELASTICO | ELASTIC RING | ANNEAU ELASTIQUE | ELASTISCHER RING | |
| 73 | 81001134/0 | 1 | ASTA COMANDO | ADJUSTMENT ROD | TIGE COMMANDE | STELLSTAB | |
| 74 | 12530150/0 | 2 | RONDELLA ELASTICA | ELASTIC WASHER | RONDELLE ELASTIQUE | ELASTISCHE SCHEIBE | |
| 75 | 22122200/0 | 8 | CUSCINETTO | BEARING | COUSSINET | KUGELLAGER | |
| 76 | 81007317/0 | 2 | RUOTA SCOLPITA Ø 170 | KNOBBLY WHEEL Ø 170 | ROUE SCULPTEE Ø 170 | RAD. M. STOLLENPR. Ø 170 | |
| 77 | 12521350/0 | 4 | RONDELLA | WASHER | RONDELLE | SCHEIBE | |
| 78 | 12155000/0 | 4 | DADO | NUT | ECROU | MUTTER | |
| 79 | ☛ | | COPRIMOZZO | HUB CAP | COUVRE-MOYEU | RADKAPPE | |
| — | 22110282/0 | 2 | BIANCO | WHITE | BLANC | WEIßE | |
| — | 22110288/0 | 2 | GIALLO | YELLOW | JAUNE | GELBE | |
| — | 22110290/1 | 2 | ROSSO | RED | ROUGE | ROTE | |
| 81 | 81007318/0 | 2 | RUOTA SCOLPITA Ø 210 | KNOBBLY WHEEL Ø 210 | ROUE SCULPTEE Ø 210 | RAD M. STOLLENPR. Ø 210 | |
| 82 | ☛ | | COPRIMOZZO | HUB CAP | COUVRE-MOYEU | RADKAPPE | |
| — | 22110281/0 | 2 | BIANCO | WHITE HUB CAP | COUVRE-MOYEU BLANC | WEIßE RADKAPPE | |
| — | 22110287/0 | 2 | GIALLO | YELLOW HUB CAP | COUVRE-MOYEU JAUNE | GELBE RADKAPPE | |
| — | 22110289/0 | 2 | ROSSO | RED HUB CAP | COUVRE-MOYEU ROUGE | ROTE RADKAPPE | |
| 83 | 12728519/0 | 3 | VITE | SCREW | VIS | SCHRAUBE | |
| 84 | 22060144/0 | 1 | CARTER REGOLAZIONE | ADJUSTMENT DECK | CHÂSSIS REGLAGE | VERSTELLUNGSGEHÄUSE | |
| 85 | 22529662/0 | 1 | PERNO FULCRO | FULCRUM PIN | PIVOT | BOLZEN | |
| 86 | 22672151/0 | 1 | RONDELLA | WASHER | RONDELLE | SCHEIBE | |
| 87 | 81001269/0 | 1 | ASTA ASSE POSTERIORE | ROD REARAXLE | BARRE AXE POSTERIEUR | HINTERACHSESTAB | |
| 88 | 81000479/0 | 1 | SETTORE DI REGOLAZIONE | ADJUSTMENT SECTOR | SECTEUR REGLAGE | VERSTELLUNGSEKTOR | |
| 89 | 22672152/0 | 1 | RONDELLA | WASHER | RONDELLE | SCHEIBE | |
| 90 | 22785109/0 | 1 | SUPPORTO REGOLAZIONE | SUPPORT | SUPPORT REGLAGE | VERSTELLUNGHALTER | |
| 91 | 12293201/0 | 4 | DADO | NUT | ECROU | MUTTER | |
| 92 | 12729600/0 | 1 | VITE | SCREW | VIS | SCHRAUBE | |
| 93 | 22785113/0 | 1 | SUPPORTO MANIGLIA | HANDLE SUPPORT | SUPPORT POIGNÉE | GRIFFHALTER | |
| 94 | 12793301/0 | 3 | VITE | SCREW | VIS | SCHRAUBE | |
| 95 | 12604899/0 | 2 | ANELLO ELASTICO | ELASTIC RING | ANNEAU ELASTIQUE | ELASTISCHER RING | |
| 96 | 22446180/0 | 1 | MOLLA | SPRING | RESSORT | FEDER | |
| 97 | 25038002/0 | 2 | BUSSOLA | BUSH | DOUILLE | BUCHSE | |
| 98 | 22393611/1 | 1 | MANIGLIA | HANDLE | POIGNÉE | GRIFF | |
| 99 | 12622640/0 | 1 | SPINA | PIN | GOUPILLE | STIFT | |
| 100 | 22446175/0 | 1 | MOLLA | SPRING | RESSORT | FEDER | |
| 101 | 22570200/0 | 1 | PLACCHETTA POSIZIONI | POSITION PLATE | PLAQUETTE REGLAGE | VERSTELLUNGPLATTE | |
| 102 | 12728520/0 | 1 | VITE | SCREW | VIS | SCHRAUBE | |



| | | | | | | | |
|------------|------------|------------|-----------------------|------------------|------------------------|-------------------|-------|
| T-3686/1/1 | 401 | 22120105/1 | 2 | CORONA | RING GEAR | COURONNE | KRANZ |
| 402 | 81006846/0 | 2 | PROTEZIONE RUOTE | WHEEL GUARD | PROTECTION ROUE | RÄDERSCHUTZ | |
| 403 | 12608600/0 | 4 | SEEGER | SEEGER | SEEGER | SEEGER | |
| 404 | 22570120/0 | 1 | PIGNONE SINISTRO | LEFT PINION | PIGNON GAUCHE | LINKES RITZEL | |
| 405 | 22122200/0 | 2 | CUSCINETTO | BEARING | ROULEMENT | KUGELLAGER | |
| 406 | 12019900/0 | 2 | ANELLO OR | OR RING | BAGUE OR | RING OR | |
| 407 | 81002808/1 | 1 | ASSE RUOTE POSTERIORI | REAR WHEELS AXLE | AXE ROUES ARRIERE | HINTERRADACHSE | |
| 408 | 22570110/0 | 1 | PIGNONE DESTRO | RIGHT PINION | PIGNON DROITE | RECHTES RITZEL | |
| 410 | 81001139/0 | 1 | ASS. COMANDO TRAZIONE | REAR DRIVE ASS.Y | ENS. COMMANDE TRACTION | ANTRIEBKABEL | |
| 411 | 81003071/0 | 1 | ASS. GRUPPO TRAZIONE | REAR DRIVE ASS.Y | ENS. GROUPE TRACTION | ANTRIEBSATZ | |
| 412 | 22601908/0 | 1 | PULEGGIA | PULLEY | POULIE | RIEMENSCHIEBE | |
| 413 | 12645705/0 | 1 | SPINA | PIN | GOUPILLE | STIFT | |
| 414 | 22033281/0 | 1 | ASTA REGOLAZIONE | ADJUSTMENT ROD | TIGE REGLAGE | VERSTELLUNGSTANGE | |
| 415 | 35064197/0 | 1 | CINGHIA | BELT | COURROIRE | RIEMEN | |

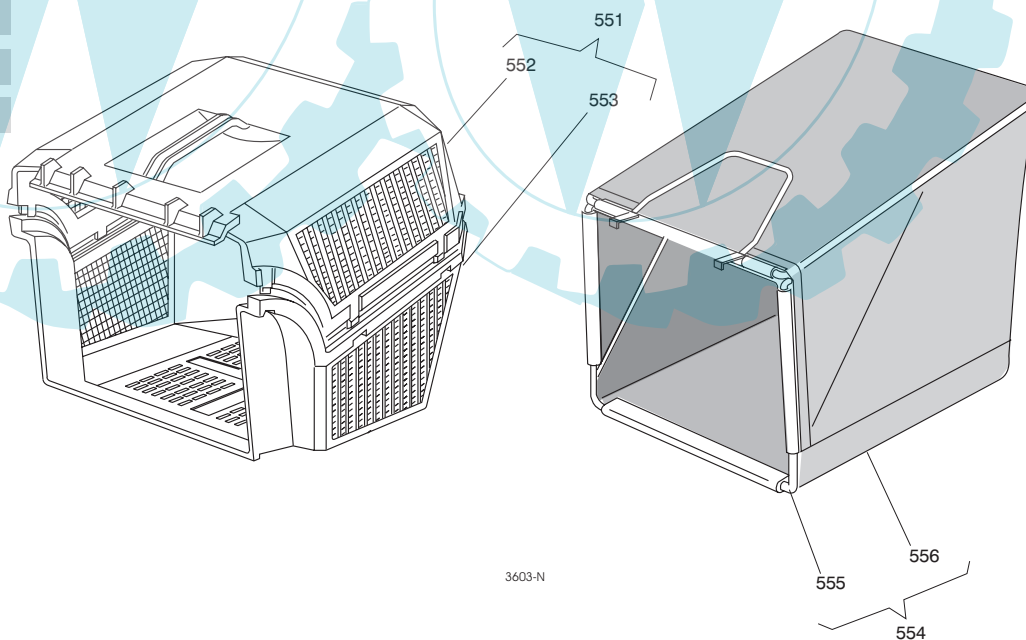
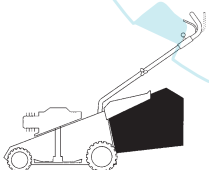
| Pos. Nr. | Codice Code Kodex | Q.tà Q.ty-Q.tè Menge | Descrizione | Description | Description | Beschreibung |
|----------|-------------------|----------------------|-------------|-------------|-------------|--------------|
| 416 | 22753000/ 0 | 2 | SPINA | PIN | GOUPILLE | STIFT |
| 417 | 22041957/ 0 | 1 | BUSSOLA | BUSH | DOUILLE | BUCHSE |
| 418 | 22450063/ 0 | 1 | MOLLA | SPRING | RESSORT | FEDER |
| 419 | 22680009/ 0 | 1 | RONDELLA | WASHER | RONDELLE | SCHEIBE |
| 420 | 12154510/ 0 | 1 | DADO | NUT | ECROU | MUTTER |
| 421 | 22110230/ 0 | 1 | TAPPO | CAP | BOUCHON | GUMMISTOPFEN |

- GRUPPO COLTELLO**
- BLADE ASS.Y**
- GROUPE LAME**
- MESSERSATZ**



| | | | | | | | |
|-----------|-----|-------------|---|-------------------|---------------|-------------------|-----------------|
| T-3643/ M | 151 | 12139100/ 0 | 1 | LINGUETTA | FEATHER | CLAVETTE | KEIL |
| | 152 | 22465611/ 0 | 1 | MOZZO | HUB | MOYEU | NABE |
| | 153 | 22672110/ 1 | 2 | RONDELLA FRIZIONE | CLUTCH WASHER | RONDELLE FRICTION | KUPPLUNGSCHEIBE |
| | 154 | 81004398/ 0 | 1 | COLTELLO | BLADE | LAME | MESSER |
| | 155 | 12508120/ 0 | 1 | MOLLA A TAZZA | CUPPED SPRING | RESSORT | TELLER FEDER |
| | 156 | 22672105/ 0 | 1 | RONDELLA | WASHER | RONDELLE | SCHEIBE |
| | 157 | 22041940/ 0 | 1 | BUSSOLA FRIZIONE | CLUTCH BUSH | DOUILLE FRICTION | KUPPLUNGSCHEIBE |
| | 158 | 12736850/ 0 | 1 | VITE | SCREW | VIS | SCHRAUBE |

- SACCO RACCOGLIERBA**
- GRASS-CATCHER**
- BAC DE RAMASSAGE**
- GRASFANGKORB**



| | | | | | | | |
|-----------|-------------|-------------|---------------------|--------------------|----------------------------|-----------------------|-----------------|
| T-3640/ N | 551 | 96500000/ 0 | 1 | SACCO COMPLETO | COMPLETE GRASS-BOX | BAC COMPLETE | KOMPLETER KORB |
| | 552 | 22486065/ 0 | 1 | PARTE SUPER. SACCO | UPPER GRASS-BOX | PARTE SUPERIEURE SAC | OBERKORB |
| | 553 | 22486064/ 0 | 1 | PARTE INFER. SACCO | LOWER GRASS-BOX | PARTE INFERIEURE SAC | UNTERKORB |
| | 554 | 96400000/ 0 | 1 | ASS. SACCO TELA | CANVASS GRASSCATCHER ASS.Y | ENSEMBLE SAC EN TOILE | KOMPLETTER SACK |
| | 555 | 81006430/ 0 | 1 | TELAIO | CHASSIS | CHASSIS | RAHMEN |
| | 556 | 81002124/ 0 | 1 | TELA SACCO | FABRIC BOX | TOILE POUR SAC | TUCK FÜR SACK |
| — | 81008610/ 0 | 1 | DOTAZIONE VITERIA | SCREWS OUTFIT | DOTATION VISSERIE | SCHRAUBEN SATZ | |
| — | 81008498/ 0 | 1 | DOTAZIONE CRUSCOTTO | DASH-BOARD OUTFIT | DOTATION CONSOLE | KONSOLE SATZ | |